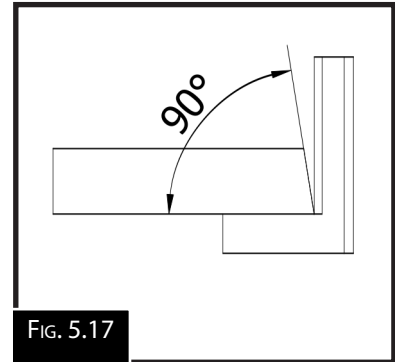
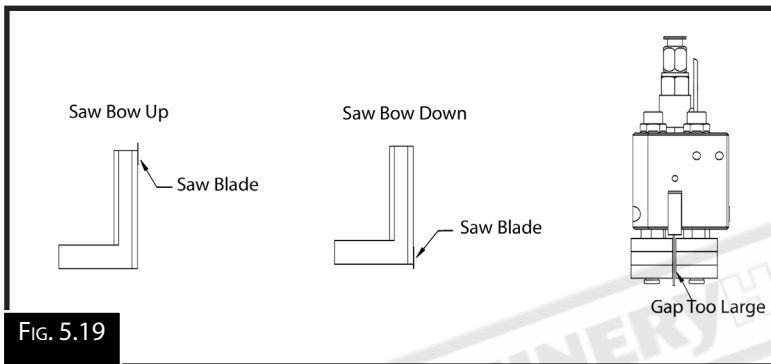
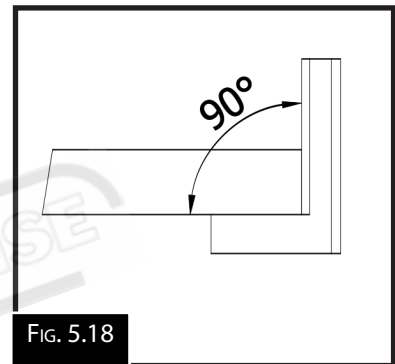


**TROUBLE SHOOTING Cont.**
**SAW BLADE DOES NOT CUT SQUARE.**

Check to see if the saw blade is cutting square. If the blade is not cutting square as per the example (Fig. 5.17)

1. Replace with a new blade and check for squareness. The workpiece should be as per Fig. 5.18
2. Inspect the blade guides to see if there is a gap between the bearings and the blade (Fig.5.19)


**FIG. 5.17**

**FIG. 5.19**

**FIG. 5.18**

## SPARE PARTS SECTION

The following section covers the spare parts diagrams and lists that were current at the time this manual was originally printed. Due to continuous improvements of the machine, changes may be made at any time without notification.

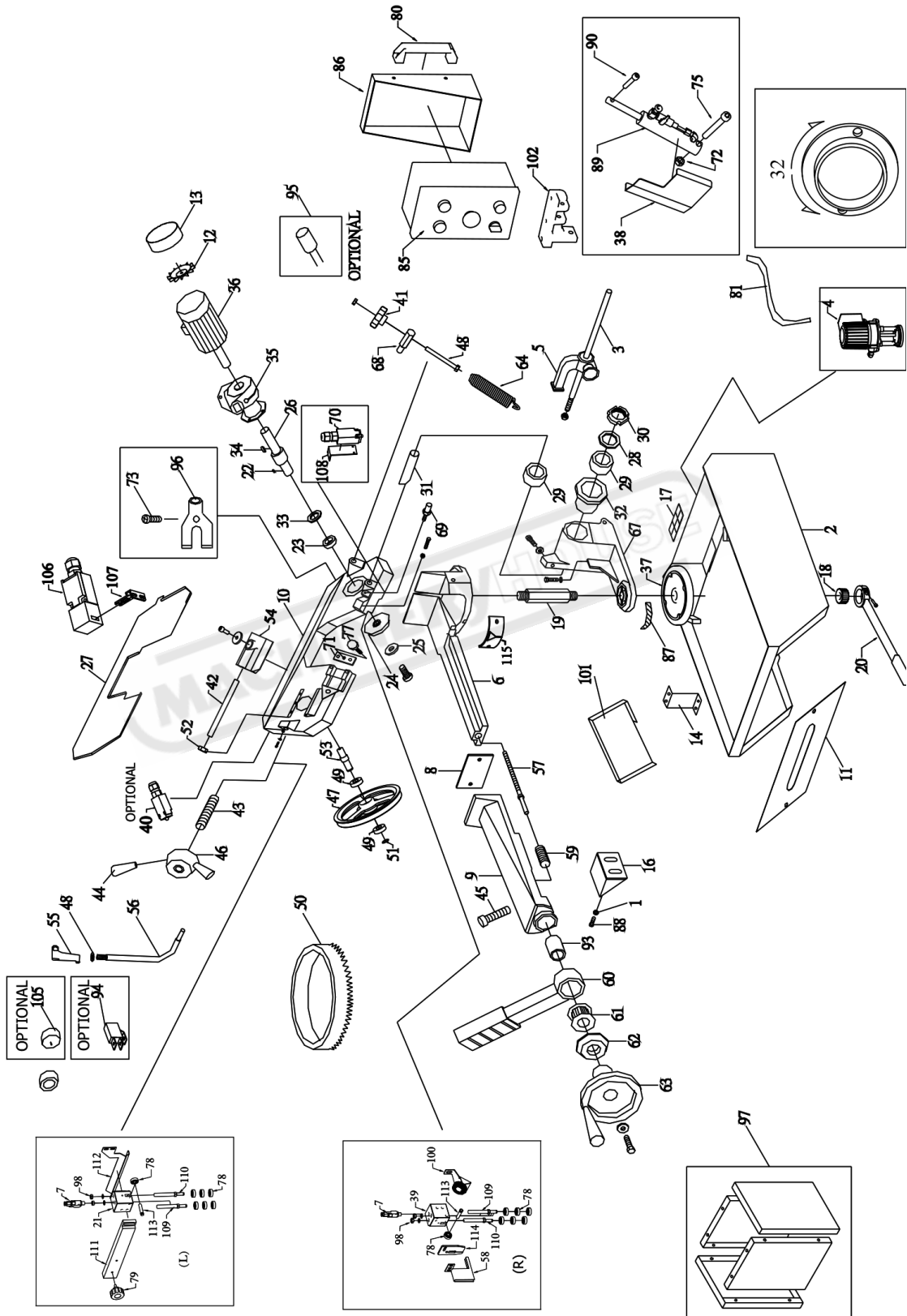
### HOW TO ORDER SPARE PARTS

1. Have your machines **model number, serial number & date of manufacture** on hand, these can be found on the specification plate mounted on the machine
2. A scanned copy of your parts list/diagram with required spare part/s identified
3. Go to [www.machineryhouse.com.au/contactus](http://www.machineryhouse.com.au/contactus) and fill out the inquiry form attaching a copy of scanned parts list.



OPERATION MANUAL

SPARE PARTS DIAGRAM



## OPERATION MANUAL

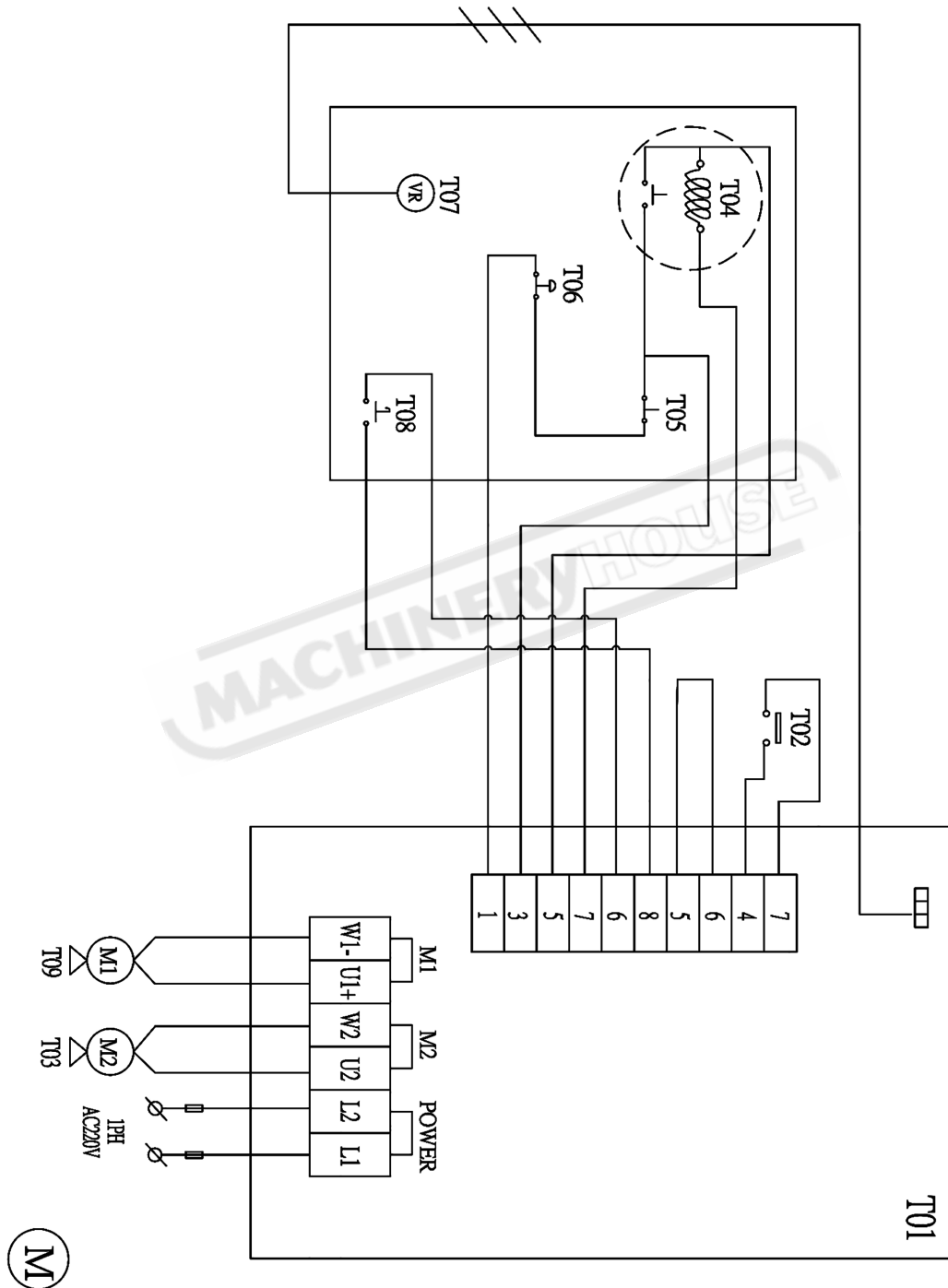
### EB-260V SPARE PARTS LIST

Ref. No.	Description	Ref. No.	Description	Ref. No.	Description
01	Washer	51	C-ring C	101	Plate
02	Base	52	Hex, Nuts.	102	Bracket
03	Bar Stop Rod	53	Blade Steel Shaft		
04	Coolant Pump	54	Block Blade Tension	104	Pivots Eccentric
05	Bar Stop	55	Handle	105	Blade Tension Gauge (optional)
06	Counter-vice	56	Lever	106	Switch
07	Valve	57	Vice Screw	107	Key
08	Vice Jaw	58	R. Blade-guard	108	Block
09	Vice	59	Vice Spring	109	Pivots Centric
10	Body Frame	60	Vice lever	110	Pivots Eccentric
11	Casing	61	Bearing	111	Arm
12	Motor Fan	62	Bearing Cover	112	Blade Guard
13	Motor Cover	63	Vice Hand Wheel	113	Pin
14	Connection Plate	64	Spring	114	Rust Plate
16	Arm	65	Spring Connection	115	Scale
17	Filter	67	Revolving Arm		
18	Bush	68	Rod		
19	Pin	69	Stop Bolt		
20	Lever	70	Micro Switch (optional)		
21	Fixed Blade Guide Plate	71	Block		
22	Key 7x7x35mm	72	Hex. Nuts		
23	Bearing	73	Rubber Connection		
24	Motor Flywheel	74	Arm		
25	Washer	75	Bolt		
26	Shaft	76	Blade Guard		
27	Blade Cover	77	Handle		
28	Ring Nylon	78	Bearing 6082Z 608		
29	Bearing 32006	79	Hand Wheel		
30	Ring Nut M30	80	Handle		
31	Pivot	81	Water Pipe		
32	Bearing Cover	82	Rust Plate		
33	Washer	83	L. Blade-guard		
34	Key 8 x 7 x 25 mm	84	Switch Set		
35	Reducer	85	Brush (optional)		
36	Motor	86	Switch Shaft		
37	Round Table	87	Scale		
38	Plate (optional)	89	Cylinder (optional)		
39	Mobile Blade Guide Plate	90	Pin (optional)		
40	Switch (optional)	91	Fixed Blade Guide Plate		
41	Hand Wheel	92	Mobile Blade Guide Plate		
42	Threaded Shaft	93	Bush		
43	Spring Washer	94	Toggle Switch		
44	Grip	95	Condenser (Motor) (optional)		
45	Pin				
46	Hand Wheel	96	Coolant Distributor		
47	Return Flywheel	97	Stand		
48	Hex. Nut	98	Nut M10		
49	Bearings 2Z/6205 6205	99	Pivots Centric		
50	Saw Blade	100	Brush		



OPERATION MANUAL

EB-260V ELECTRICAL DIAGRAM






---

**OPERATION MANUAL**


---

**EB-260V ELECTRICAL PARTS LISTS**

Part No.	Name	Description	Manufacturer	Mark
T01	PCB	CY-815DVP	George	CE
T02	Safe Micro	Micro Switch	Haily	CE
T03	M2	Pump Motor	George	CE
T04	ON	I Switch	Tend	CE
T05	OFF	O Switch	Tend	CE
T06	EMS	Emergency Stop	Demex	CE
T07	VR	Converter VR	George	CE
T08	Coolant	Pump Switch	Tend	CE
T09	M1	Main Motor	George	CE